

## M600 Series Sliding Door

### Features

- ◇ **Material**
  - Extruded Aluminum
- ◇ Commercial Framing System
  - 5" main frame
  - 3 5/8" sill height
  - 0.070 extruded wall thickness of frame
  - 0.062" extruded wall thickness of sash
  - Frames shipped K.D.
- ◇ Thermally Enhanced Design
  - Azon pour and debridge thermal break is 1/2" wide in all main frame and vent rail extrusions
  - Internal weep system for effective water drainage
  - Steel Roller System
  - Mitered panels with heavy-duty corner keys
- ◇ Integral Nailing Fin
- ◇ Glazing
  - 1" tempered insulated glass
- ◇ Hardware
  - Heavy-duty steel rollers operate in stainless steel roller track, making operation easy and smooth
  - D-Loop Handle hardware (interior & exterior)
- ◇ Screen
  - Extruded aluminum screen frame with BetterVue™ mesh

### Benefits

- ◇ The capacity to match exterior colors for unique project facades
- ◇ The ability to facilitate custom sizes for taller and wider door openings

### Performance

- ◇ Structural & Thermal (test reports or thermal simulations available upon request)

Model	Sliding Door
	Active-Fixed
Test Size	123" x 96"
AAMA/WDMA/CSA 101/I.S.2/A440-08 Rating	AW-50
Structural Load P.S.F.	75
Air Infiltration (cfm/ft <sup>2</sup> )	<0.30
Water (No Penetration) P.S.F.	12
U-Value (ranges based on multiple Low-E/Argon combinations)	0.36-0.41
SHGC (ranges based on multiple Low-E/Argon combinations)	0.14-0.49

Due to periodic re-certification requirements, result shown may vary.

### Options

- ◇ Available Configurations
  - Fixed-Active
  - Active-Fixed
  - Fixed-Active-Fixed
  - Fixed-Fixed-Active
  - Active-Fixed-Fixed
  - Fixed-Active-Active-Fixed
- ◇ Muntin Choices
  - Internal or simulated divided lites available
- ◇ No Nailing Fin
- ◇ Screen
  - Extruded aluminum screen frame with aluminum wire mesh
  - Extruded aluminum screen frame with sunscreen mesh
  - Extruded aluminum screen frame with stainless steel 0.009" thickness mesh
- ◇ Glazing
  - Up to 1 3/8" thickness of I.G. available
  - Variety of Energy-Efficient glass packages
  - Sound attenuation glazing packages for STC/OITC
  - Impact Glazing
- ◇ Hardware
  - Premium 2" roller system
  - Flush Handle hardware
- ◇ Panning & Trim Choices
  - Structural Transition mulls
  - Wide variety of panning, receptor and trim available

Minimum width necessary for 2-panel M600 Series Sliding door to achieve 32" net clear opening: 80" (with standard D-Loop handle)

Our products are tested to the standards of and certified by some of the foremost organizations in the fenestration industry.



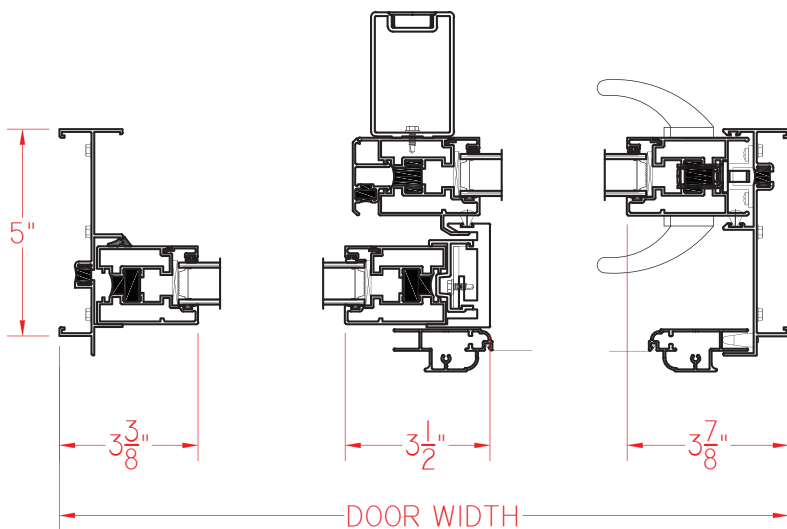


# M600 5" Frame Depth Sliding Door

## M600 Series Sliding Door

Fixed/Active (shown) or Active/Fixed  
\*as viewed from exterior

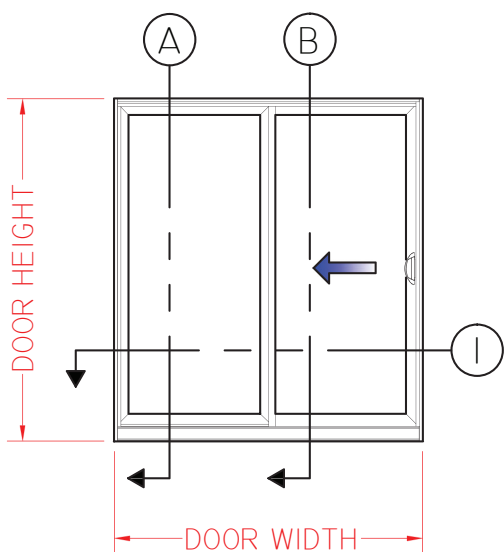
This document contains confidential and proprietary information intended for the private use of Quaker. © 2019 Quaker Window Products Co., Inc.. All rights reserved. Quaker reserves the right to change any/all designs without notice.



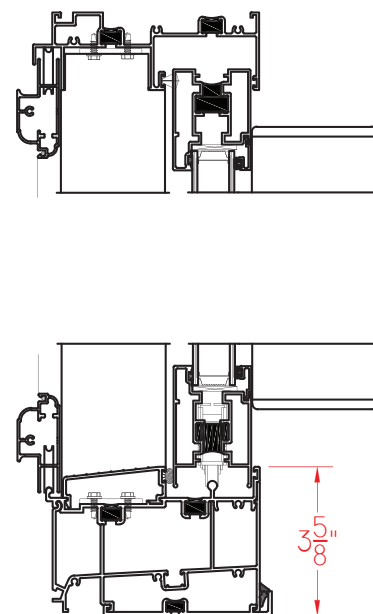
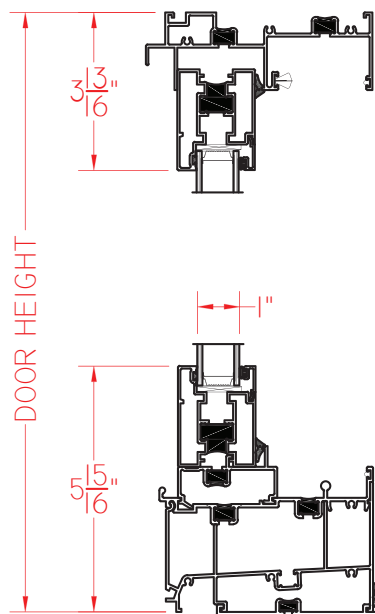
① HORIZONTAL CROSS SECTION

① A VERTICAL CROSS SECTION

① B VERTICAL CROSS SECTION



ELEVATION SCALE 1/4" = 1'-0"



SCALE 1:5

Our products are tested to the standards of and certified by some of the foremost organizations in the fenestration industry.



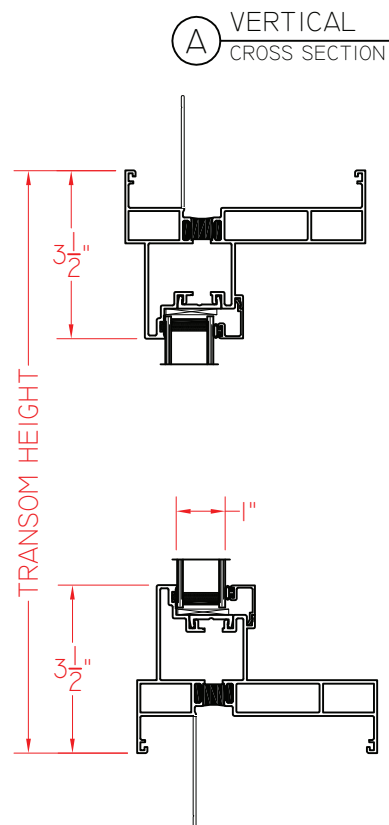
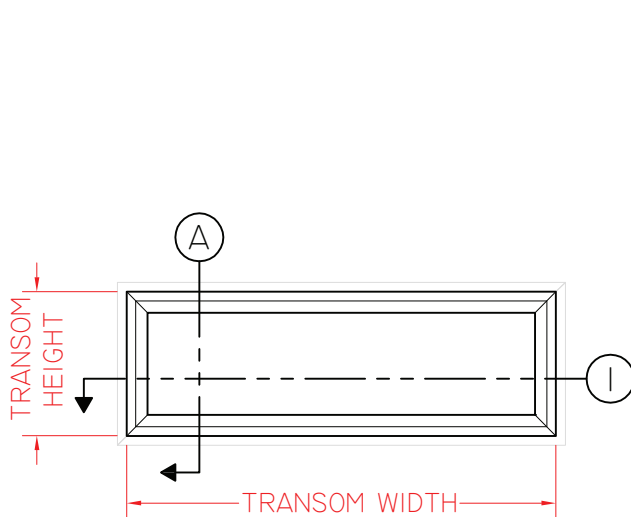
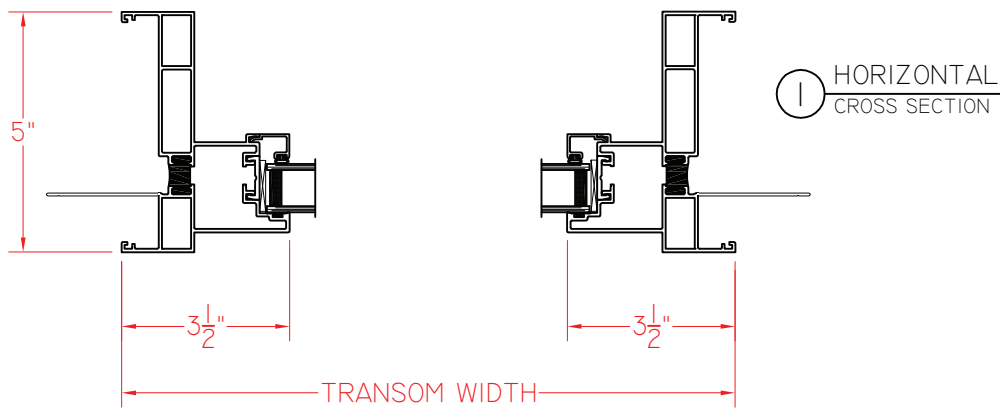


# M600 5" Frame Depth Sliding Door Transom

## M600 Series Sliding Door Fixed Transom

Shown with  
nailing fin

This document contains confidential and proprietary information intended for the private use of Quaker.  
© 2019 Quaker Window Products Co., Inc.. All rights reserved.  
Quaker reserves the right to change any/all designs without notice.



Our products are tested to the standards of and certified by some of the foremost organizations in the fenestration industry.

