

M300 Series Sliding Door

Features

- ◇ **Material**
 - Extruded Aluminum
- ◇ Commercial Framing System
 - 5" main frame
 - 2 5/8" sill height
 - 0.070 extruded wall thickness of frame
 - 0.062" extruded wall thickness of sash
 - Frames shipped K.D.
- ◇ Thermally Enhanced Design
 - Azon pour and debridge thermal break is 1/2" wide in all main frame and vent rail extrusions
 - Internal weep system for effective water drainage
 - Steel Roller System
 - Mitered panels with heavy-duty corner keys
- ◇ Integral Nailing Fin
- ◇ Glazing
 - 1" tempered insulated glass
- ◇ Hardware
 - Heavy-duty steel rollers operate in stainless steel roller track, making operation easy and smooth
 - D-Loop Handle hardware (interior & exterior)
- ◇ Screen
 - Extruded aluminum screen frame with BetterVue™ mesh

Benefits

- ◇ The capacity to match exterior colors for unique project facades
- ◇ The ability to facilitate custom sizes for taller and wider door openings

Performance

- ◇ Structural & Thermal (test reports or thermal simulations available upon request)

Model	Sliding Door
	Active-Fixed
Test Size	95" x 83"
AAMA/WDMA/CSA 101/I.S.2/A440-08 Rating	CW-50
Structural Load P.S.F.	75
Air Infiltration (cfm/ft ²)	<0.30
Water (No Penetration) P.S.F.	7.5
U-Value (ranges based on multiple Low-E/Argon combinations)	0.35-0.40
SHGC (ranges based on multiple Low-E/Argon combinations)	0.14-0.50

Due to periodic re-certification requirements, result shown may vary.

Options

- ◇ Available Configurations
 - Fixed-Active
 - Active-Fixed
 - Fixed-Active-Fixed
 - Fixed-Fixed-Active
 - Active-Fixed-Fixed
 - Fixed-Active-Active-Fixed
- ◇ Muntin Choices
 - Internal or simulated divided lites available
- ◇ No Nailing Fin
- ◇ Screen
 - Extruded aluminum screen frame with aluminum wire mesh
 - Extruded aluminum screen frame with sunscreen mesh
 - Extruded aluminum screen frame with stainless steel 0.009" thickness mesh
- ◇ Glazing
 - Up to 1 3/8" thickness of I.G. available
 - Variety of Energy-Efficient glass packages
 - Sound attenuation glazing packages for STC/OITC
- ◇ Hardware
 - Premium 2" roller system
 - Flush Handle hardware
- ◇ Panning & Trim Choices
 - Structural Transition mulls
 - Wide variety of panning, receptor and trim available

Minimum width necessary for 2-panel M600 Series Sliding door to achieve 32" net clear opening:
80" (with standard D-Loop handle)

Operating Force:
(per ASTM E2068)

M300 Active-Fixed
22 N (5 lbf) - Initiate Motion
22 N (5 lbf) Maintain Motion
9 N (2 lbf) (locks)

M600 Active-Fixed
53 N (12 lbf) - Initiate Motion
58 N (13 lbf) Maintain Motion
18 N (4 lbf) (locks)

Our products are tested to the standards of and certified by some of the foremost organizations in the fenestration industry.



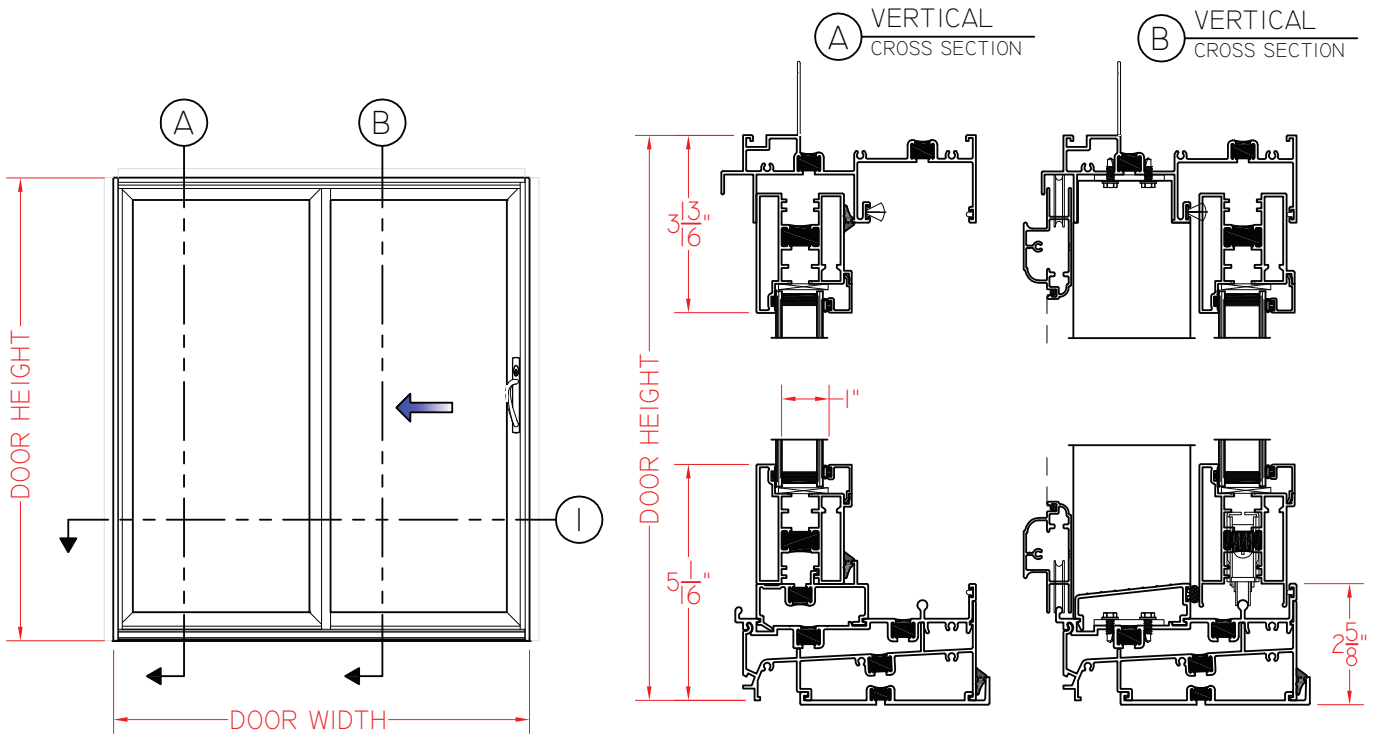
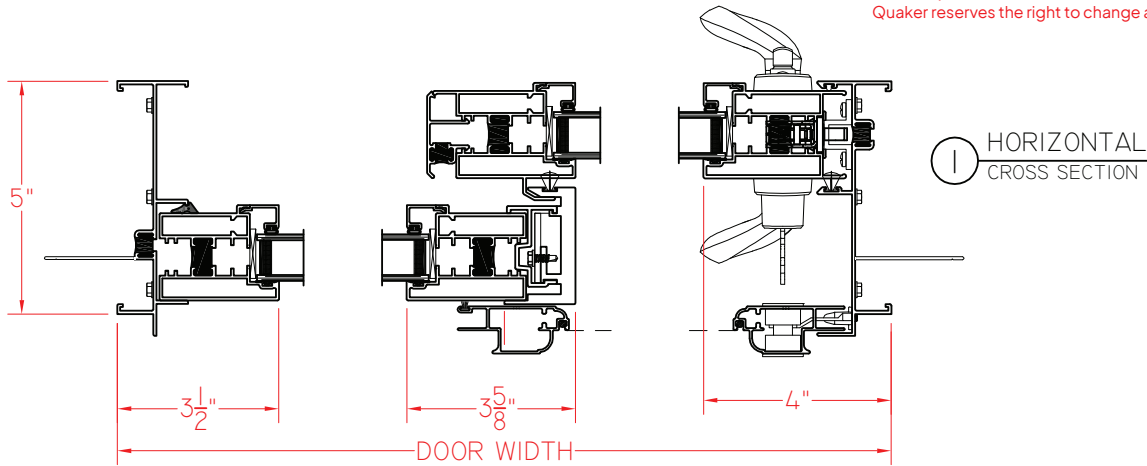


M300 5" Frame Depth Sliding Door

M300 Series Sliding Door

Fixed/Active (shown) or Active/Fixed
*as viewed from exterior
Shown with Nailing Fin

This document contains confidential and proprietary information intended for the private use of Quaker.
© 2019 Quaker Window Products Co., Inc.. All rights reserved.
Quaker reserves the right to change any/all designs without notice.



ELEVATION SCALE 3/8" = 1'-0"

Our products are tested to the standards of and certified by some of the foremost organizations in the fenestration industry.



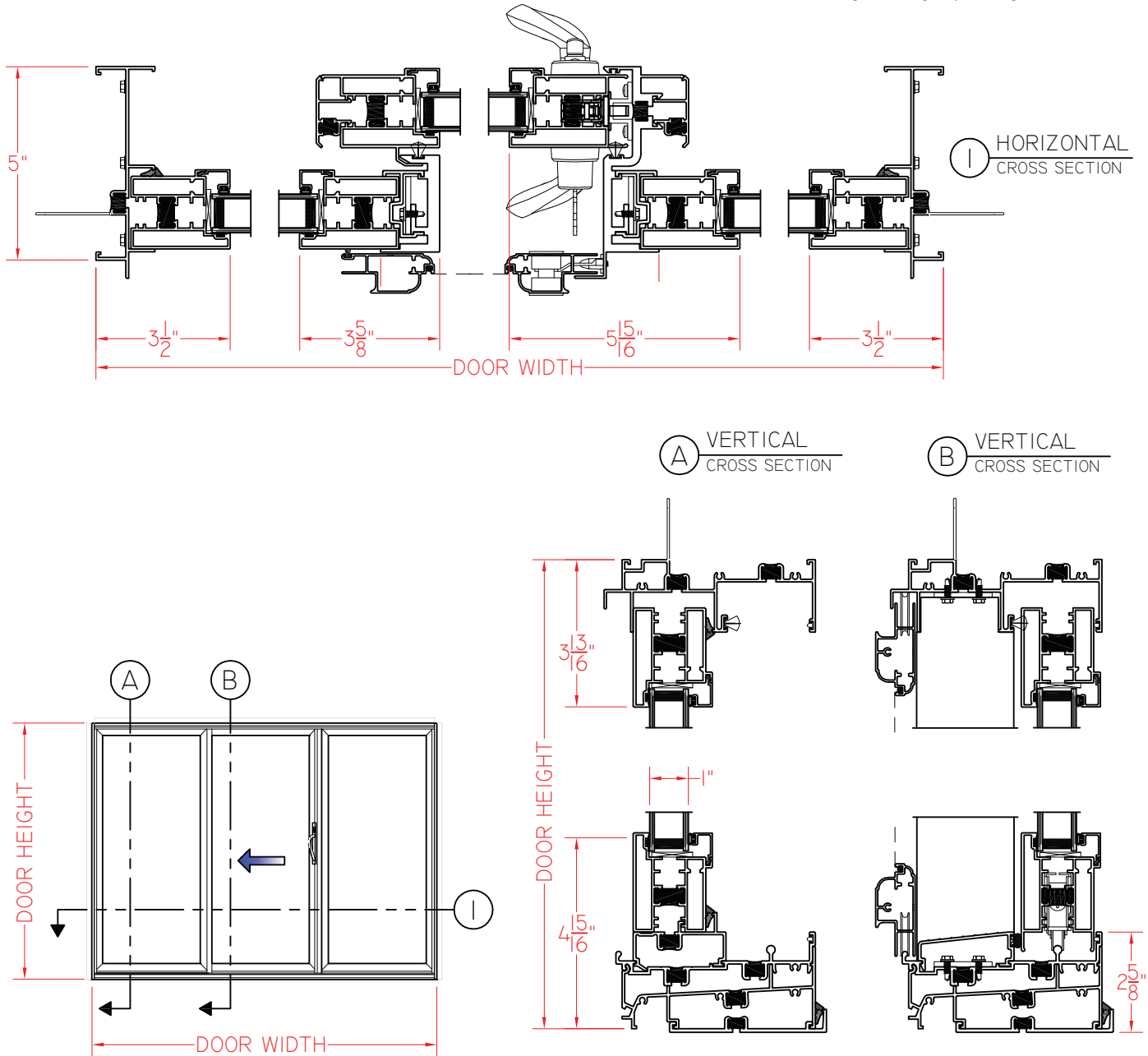


M300 5" Frame Depth Sliding Door

M300 Series Sliding Door

Fixed/Active/Fixed (shown)
*as viewed from exterior
Shown with Nailing Fin

This document contains confidential and proprietary information intended for the private use of Quaker.
© 2019 Quaker Window Products Co., Inc.. All rights reserved.
Quaker reserves the right to change any/all designs without notice.



ELEVATION SCALE 1/4" = 1'-0"

Our products are tested to the standards of and certified by some of the foremost organizations in the fenestration industry.



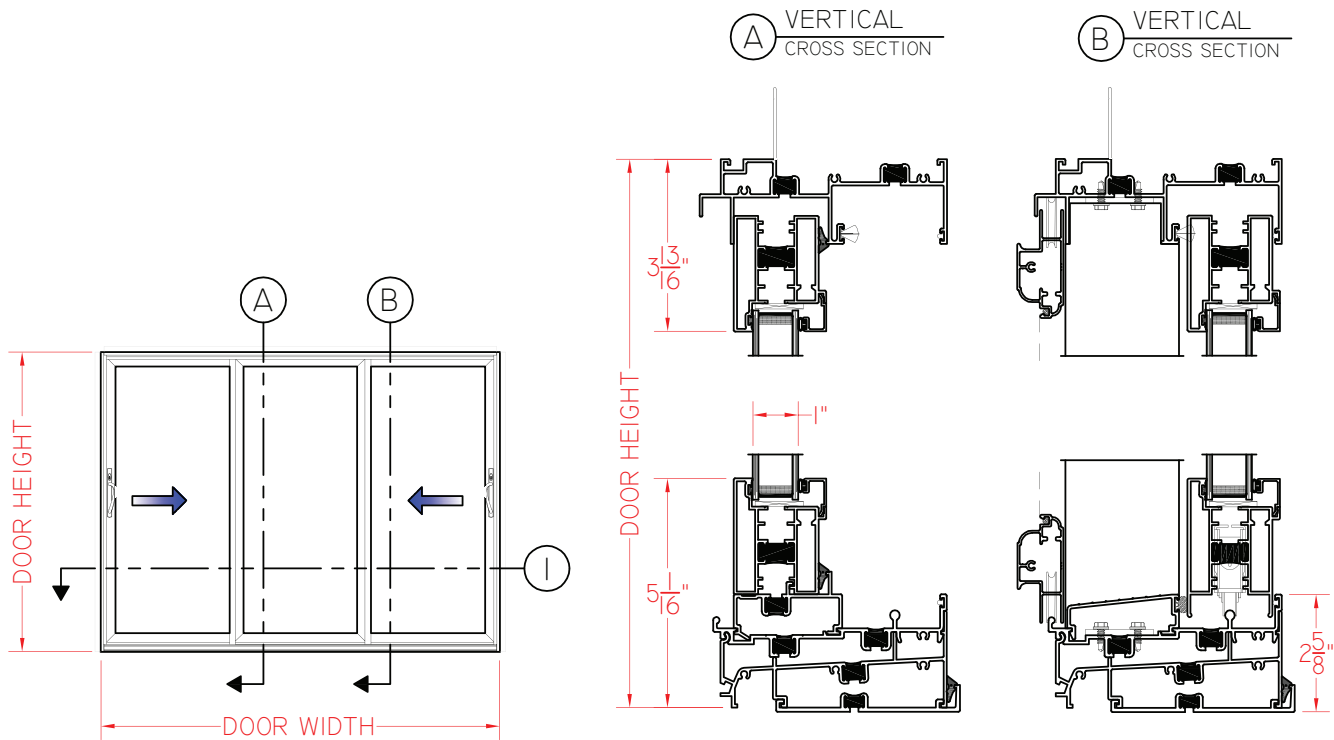
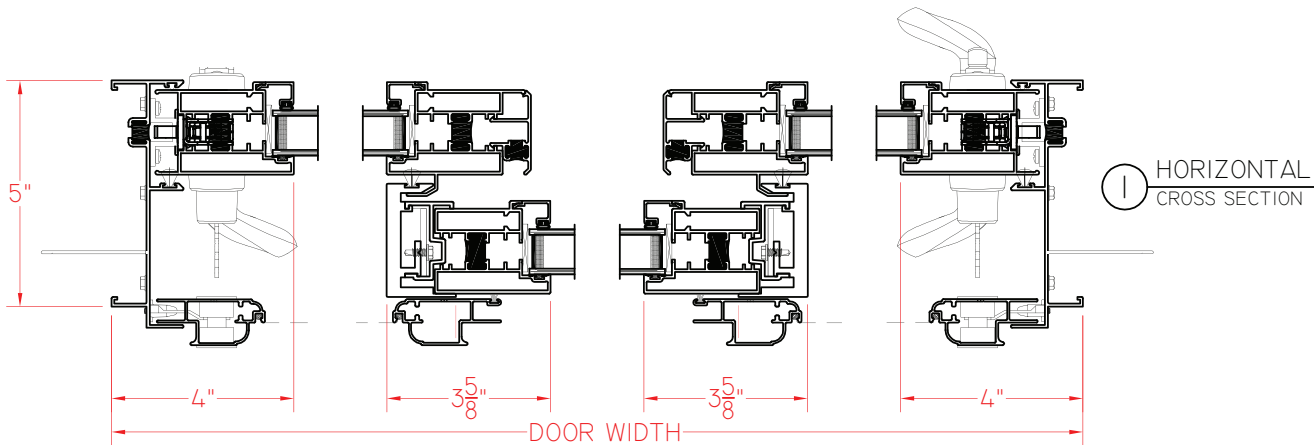


M300 5" Frame Depth Sliding Door

M300 Series Sliding Door

Active/Fixed/Active
*as viewed from exterior
Shown with Nailing Fin

This document contains confidential and proprietary information intended for the private use of Quaker.
© 2019 Quaker Window Products Co., Inc.. All rights reserved.
Quaker reserves the right to change any/all designs without notice.



ELEVATION SCALE 1/4" = 1'-0"

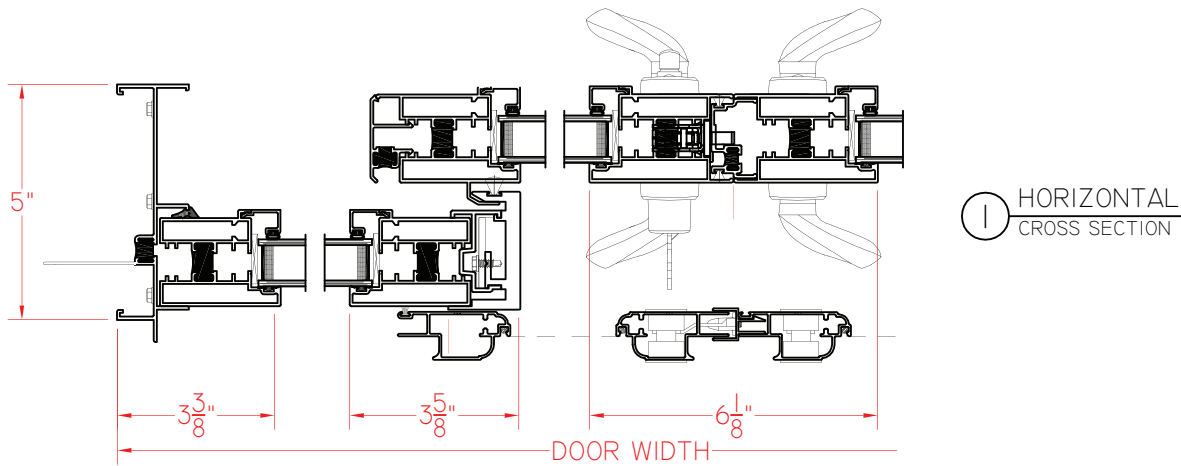
Our products are tested to the standards of and certified by some of the foremost organizations in the fenestration industry.



M300 Series Sliding Door

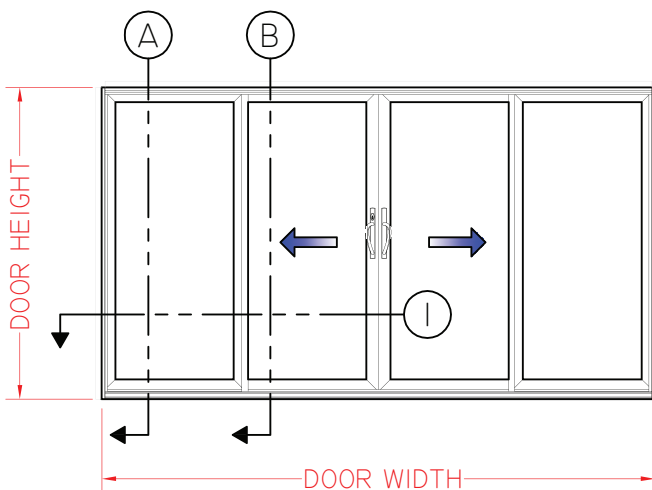
Fixed/Active/Active/Fixed (shown)
*as viewed from exterior
Shown with Nailing Fin

This document contains confidential and proprietary information intended for the private use of Quaker.
© 2019 Quaker Window Products Co., Inc.. All rights reserved.
Quaker reserves the right to change any/all designs without notice.

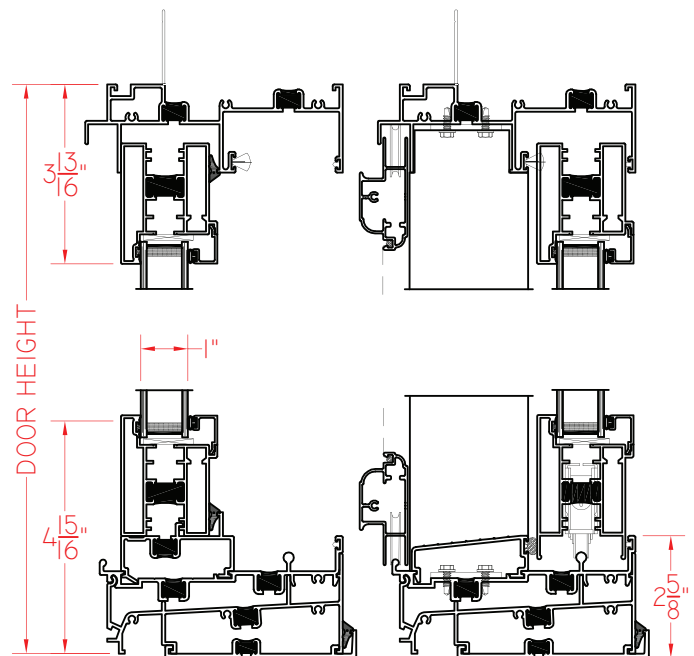


A VERTICAL CROSS SECTION

B VERTICAL CROSS SECTION



ELEVATION SCALE 1/4" = 1'-0"

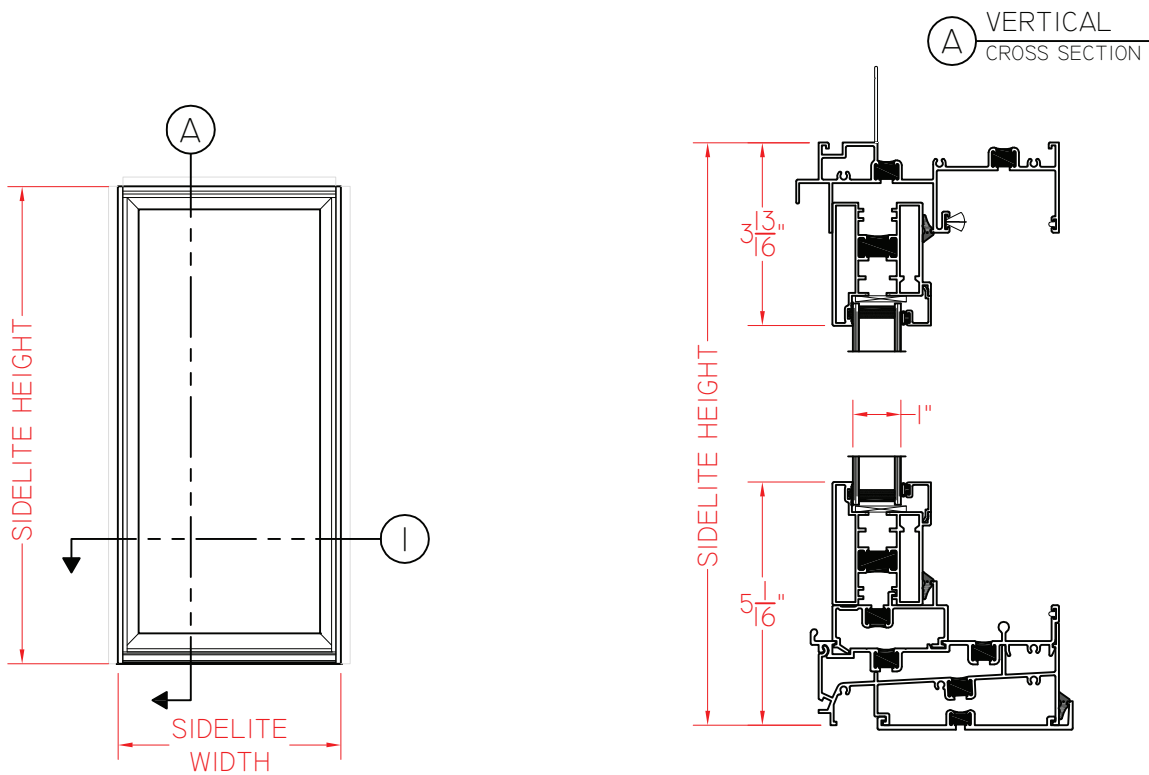
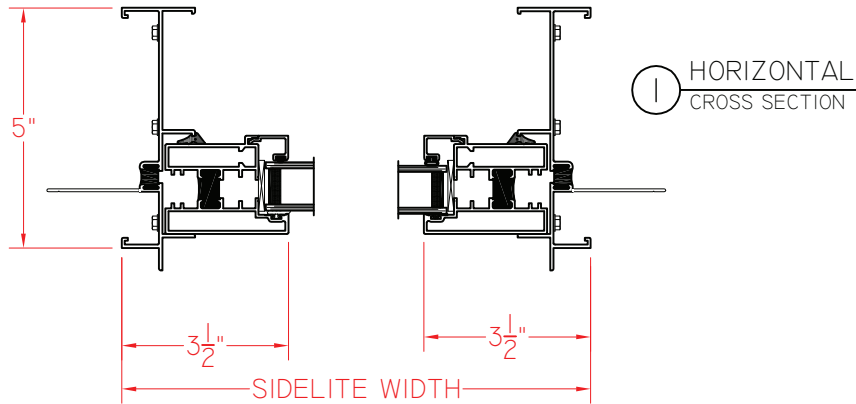


Our products are tested to the standards of and certified by some of the foremost organizations in the fenestration industry.



M300 Series Sliding Door Fixed Sidelite

This document contains confidential and proprietary information intended for the private use of Quaker.
© 2019 Quaker Window Products Co., Inc.. All rights reserved.
Quaker reserves the right to change any/all designs without notice.

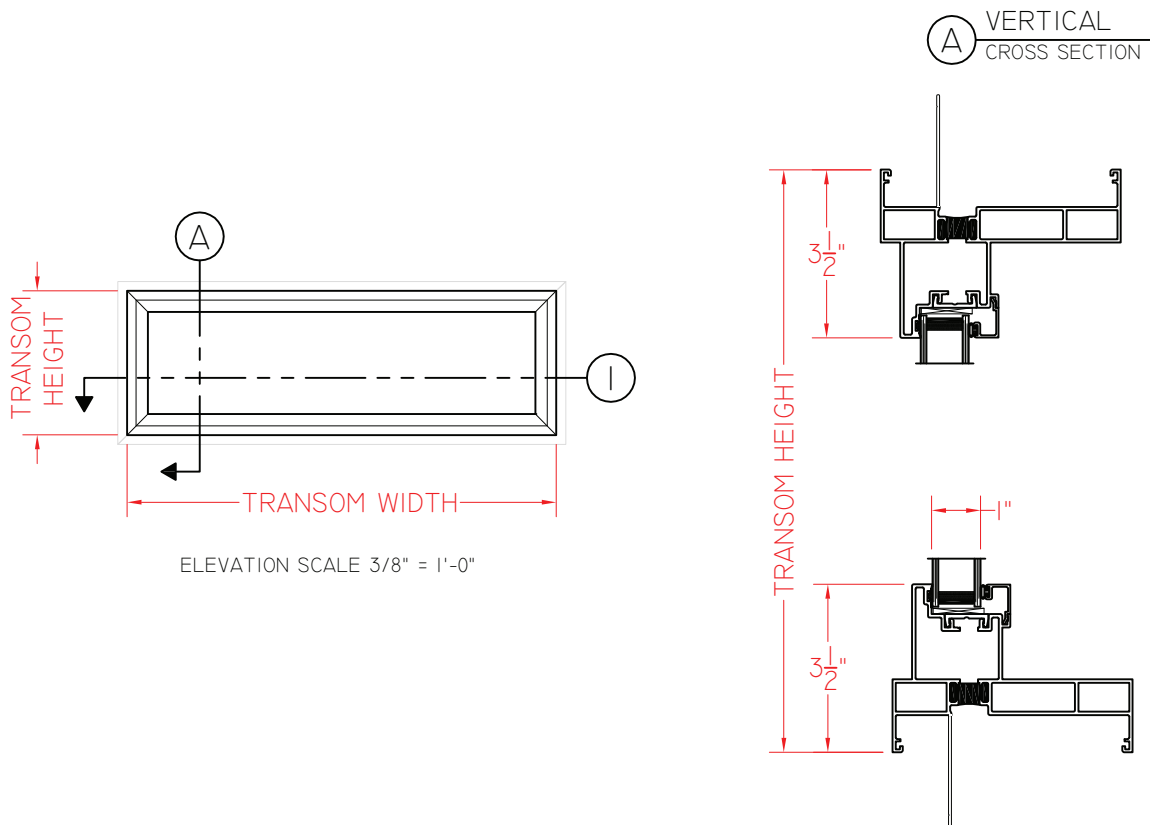
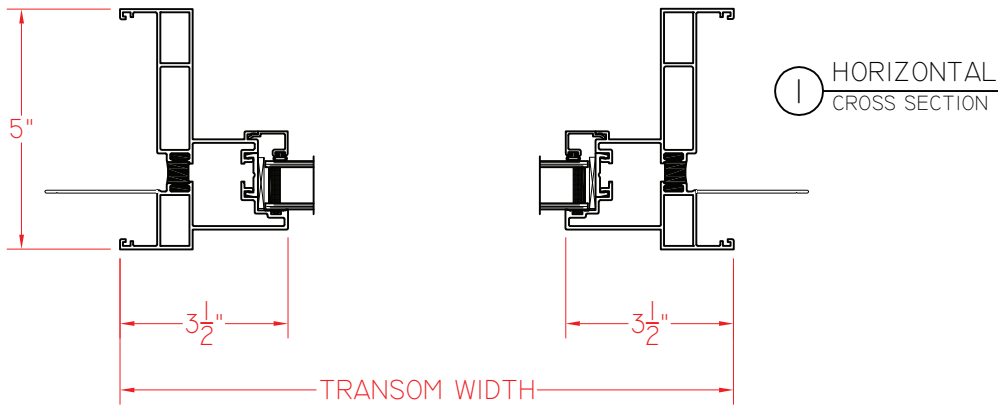


Our products are tested to the standards of and certified by some of the foremost organizations in the fenestration industry.



M300 Series Sliding Door Fixed Transom

This document contains confidential and proprietary information intended for the private use of Quaker.
© 2019 Quaker Window Products Co., Inc.. All rights reserved.
Quaker reserves the right to change any/all designs without notice.



Our products are tested to the standards of and certified by some of the foremost organizations in the fenestration industry.

